

BETTER PACK 222 INSTRUCTIONS

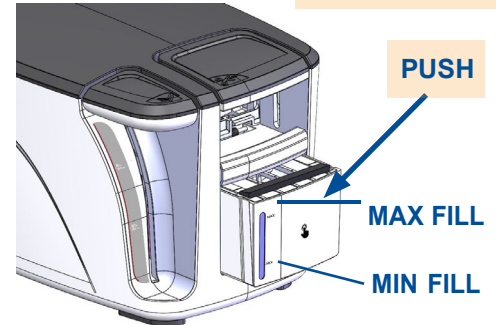
HOW TO SET-UP THE BP222

The carton should contain:

- A water tank with a brush
- One roll of BP222 compatible water-activated tape

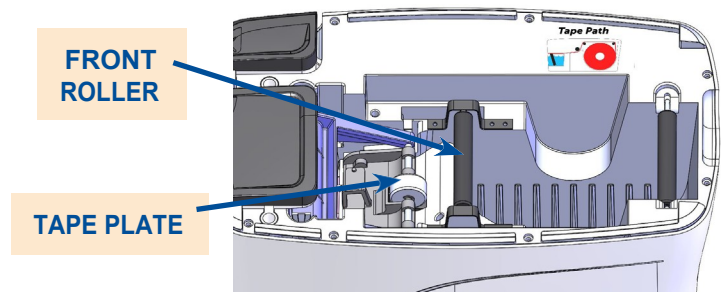
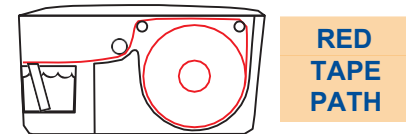
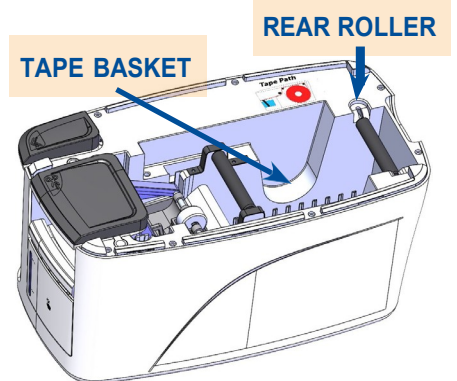
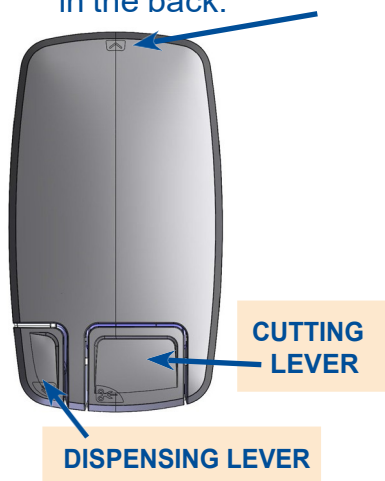
Remove and Fill the Water Tank:

1. Push on the icon in middle of the tank to eject it.
2. Open the hinged top to fill the water.
3. Fill the tank to the max fill line. (8oz/1 cup of water)
4. Push the tank back into place.



HOW TO LOAD TAPE

1. Open the machine cover by lifting it up in the back.
2. Cut the end of the tape so it has a straight end to feed
3. Place the tape into the basket, **adhesive side down**
4. Lift the **Rear Roller**, pull out the cut tape end, put the roller back into place and pull the tape on top of the roller. (See tape path label on dispenser)
5. Continue loading the tape:
 - Over the **Front Roller**
 - Under the tape black **tape plate/roller**. Make sure it is centered.
6. Once the tape is under the tape plate, dispense the tape by pressing down on the **Dispensing Lever**.
7. Next, press the **Cut Lever** to cut your first piece of tape.
8. Snap top cover back on.
9. You are ready to seal your carton!

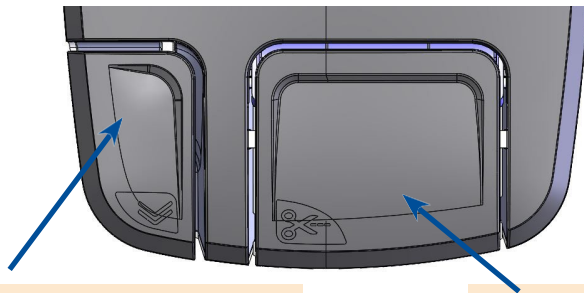


BETTER PACK 222 INSTRUCTIONS

HOW TO MEASURE & DISPENSE THE TAPE

Determine the tape length by measuring your carton. Add 3" per side to the length of your carton.

- One complete push of the Dispensing Lever equals 10 inches/25 cm of tape. (SEE RULER BEHIND LEVER)
- Push the Dispensing Lever until desired length of tape has been dispensed.



DISPENSING LEVER

CUTTING LEVER

- When you've achieved the desired tape length, push the Cutting Lever.

HOW TO TAPE YOUR BOX



After cutting the tape, grab it on the sides with one hand to avoid getting adhesive on hands.



Bring the folds of the carton together and center the tape on the seam.



Press the tape down and smooth several times from the center out to the sides of the carton.



02 9452-3566

sales@getpacked.com.au